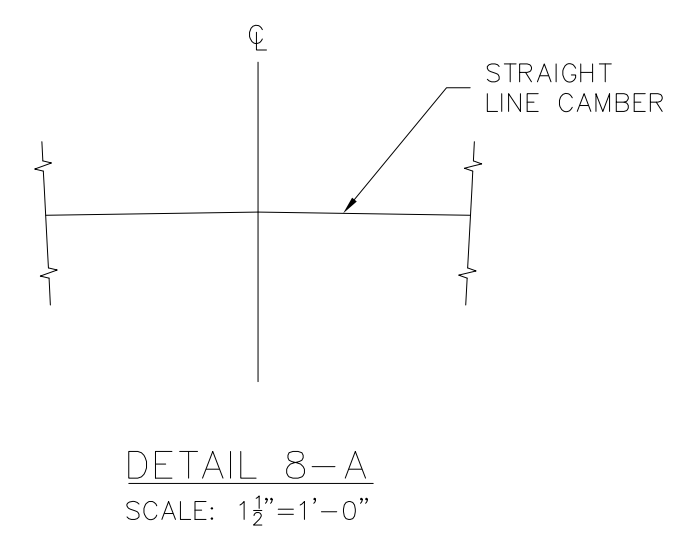
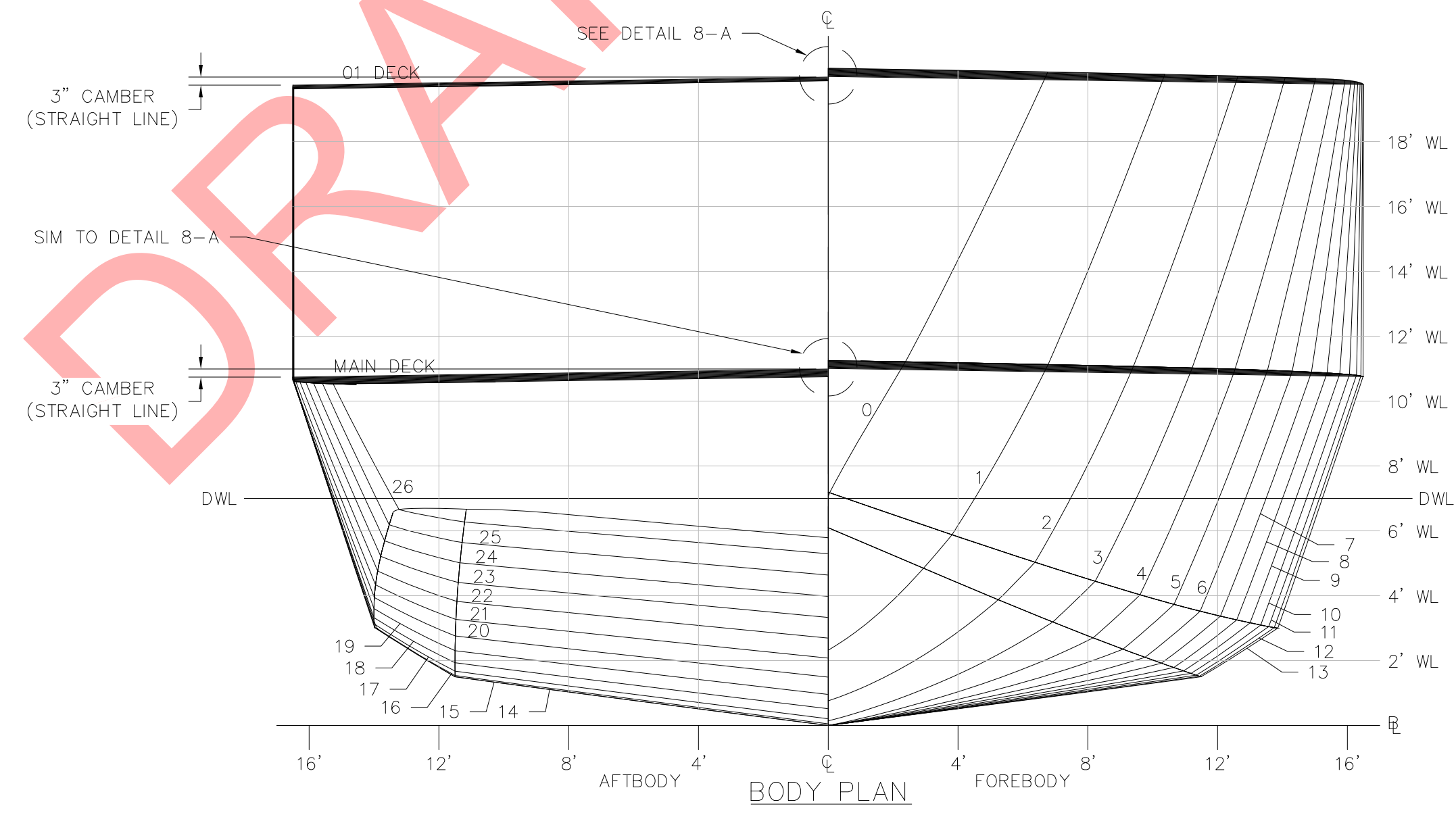
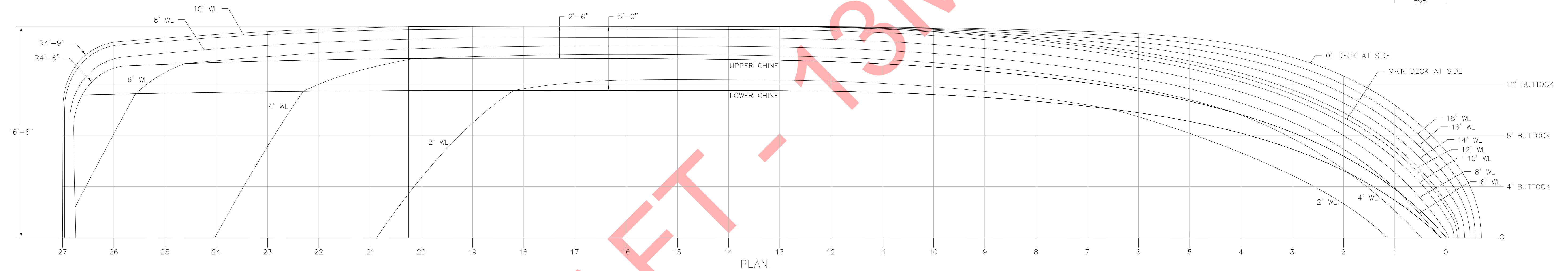
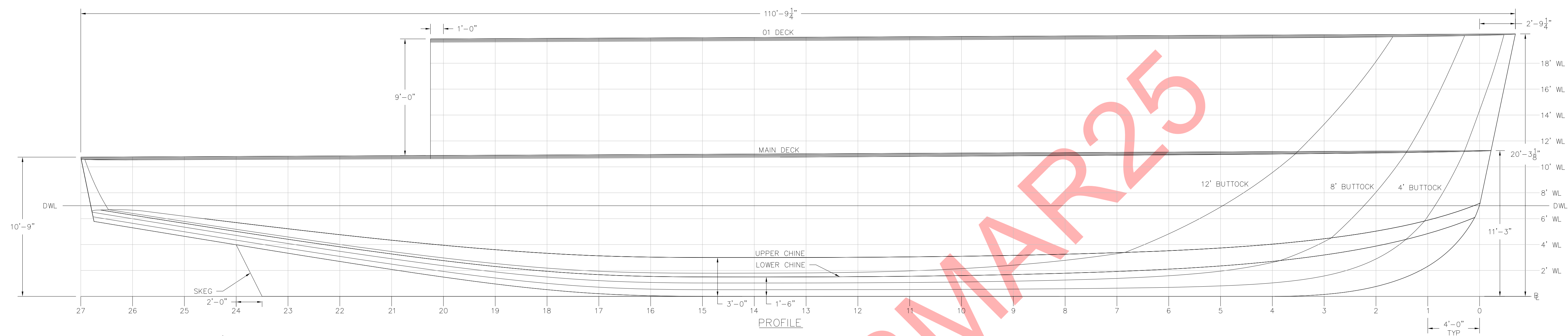


SYM	REVISIONS	CKDBY	DATE
-	-	-	-



GENERAL NOTES		
1. ALL DIMENSIONS TO THE MOLDED LINE U.O.N.		
REFERENCES		
NO.	DESCRIPTION	DWG. NO.
-	-	-
RESERVATIONS		
NOT FOR CONSTRUCTION FOR REVIEW ONLY		

THIS DOCUMENT IS THE EXCLUSIVE PROPERTY OF BHGI AND IS FURNISHED ON A CONFIDENTIAL BASIS. NO PORTION OF THIS DOCUMENT MAY BE COPIED, TRACED, PHOTOGRAPHED, OR IN ANY OTHER WAY REPRODUCED, NOR MAY ANY ITEM HEREON DEPICTED BE MANUFACTURED AS SHOWN WITHOUT THE EXPRESS WRITTEN CONSENT OF BHGI. THE RECIPIENT OF THE INFORMATION CONTAINED HEREON MAY NOT DISCLOSE OR MAKE AVAILABLE THE SAME TO ANY OTHER PERSON OR BUSINESS FIRM, NOR MAY THE SAME BE USED EXCEPT FOR THE SPECIFIC PURPOSE INTENDED. BHGI SHALL NOT BE HELD RESPONSIBLE FOR ANY UNAUTHORIZED CHANGES TO THIS DOCUMENT OR ITS INTENT.

BRISTOL HARBOR GROUP
99 POPPASQUASH RD. UNIT H, BRISTOL, R.I. 02809
TEL: (401) 253-4318 - FAX: (401) 253-2329
www.bristolharbortgroup.com

TITLE: **HULL LINES**

FOR: **CASCO BAY LINES**

VESSEL: SUBCHAPTER K PASSENGER FERRY	HULL NO: -
SCALE: 1/4"=1'-0"	DATE: 13MAR25
DWG NO: 23494-105-01	CHECKED: ARP
REVISION: 0	APPROVED: -
SHEET NO: 1 OF 1	DATE: -